



**NIEUWKOOP**

# LEAFLET



## **RV5700/HD4817TV**

RH/°C-TRANSMITTER

4-20MA OUTPUT



TO MEASURE  TO KNOW

# RV5700/HD4817TV

RH/°C-TRANSMITTER



NIEUWKOOP

The RV5700/HD4817TV transmitter is designed for temperature and humidity control in **conditioning and ventilation applications (HVAC/BEMS)** in the following sectors: pharmacy, museums, clean rooms, ventilation ducts, industrial and civil sectors, crowded places, canteens, auditoria, gyms, high-density farms, greenhouses, etc.

## Technical specifications

### Relative Humidity

Sensor	Capacitive
Measuring range	0...100% RH
Accuracy @ T=15...35°C	±1.5% RH (0...90%RH), ±2.0%RH (90...100%RH)
Accuracy @ rest of T range	±(1.5%+1.5% of the measure)%RH
Repeatability	0.4%RH
Sensor working temperature	-20...+80°C

### Temperature

Sensor	NTC 10kΩ
Measuring range	-20...+80°C
Accuracy	±0.3°C (0...+70°C) ±0.4°C (-20...0°C, +70...+80°C)
Repeatability	0.05°C

### Output

Relative Humidity	4...20 mA (0...100%RH), $R_L < 500\Omega$ 22 mA outside the measuring range
Temperature	4...20 mA (-20...80°C), $R_L < 500\Omega$ 22 mA outside the measuring range

### Power supply and electrical connections

Power supply	18...40Vdc or 24Vac ±10%
Consumption	- 4 mA@24V (models with voltage output) - 4 mA@24V with open output, 20 mA@24V with 12mA output (models with current output) - 2 mA@24V models with serial RS485 output
Electrical connections	Screw type terminal block, max. 1.5mm <sup>2</sup> , M16 cable gland for input cable

### General Characteristics

Standard filter	PBT and 10 μm stainless steel grid protection (P8) 20 μm PTFE (P7) only for extended range
Working temperature	Electronics = -20...+60°C, Storage = -20...+80°C
Electronics protection class	IP66
Materials	ABS, polycarbonate
Weight	approx. 120 gr.
Case dimensions	80x84x44 (l×w×h)

# RV5700/HD4817TV

RH/°C-TRANSMITTER



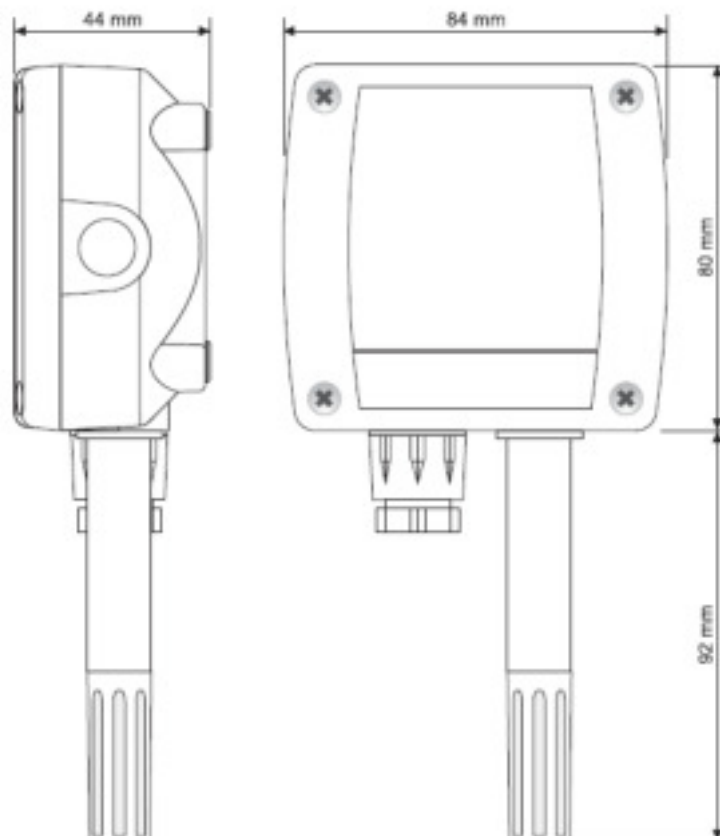
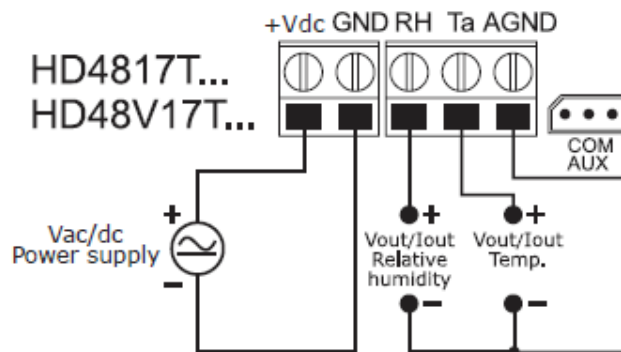
NIEUWKOOP

## Electrical connections

Power the instrument as shown in the below connection schemes, the power supply terminals are marked as +Vcc and GND.

The output signal is available between:

RH% and AGND, Ta and AGND terminals for the RV5700/HD4817TV transmitter.





TO MEASURE  TO KNOW

---

**Nieuwkoop BV**

Aalsmeerderweg 249-S  
1432 CM AALSMEER

0297 325836

[info@nieuwkoopbv.nl](mailto:info@nieuwkoopbv.nl)  
[www.meten.nl](http://www.meten.nl)



**NIEUWKOOP**