



**NIEUWKOOP**

# LEAFLET



## **NT5000/NT5010**

LEVEL SENSOR (0-5M, 0-10M)

OUTPUT 4-20MA



TO MEASURE  TO KNOW



## Product overview

The input level/water level transmitter uses a diffusion silicon chip to encapsulate the diffusion silicone oil-filled core in a stainless steel housing. The front end protective cap functions as a protective sensor diaphragm, and also allows the liquid to smoothly contact the diaphragm. Wire and housing are sealed and connected. The vent pipe is connected to the outside in the cable. The internal structure is designed to prevent condensation. Built-in micro signal processing circuit can be used for remote transmission. It has a good stability and reliability.

## Application range

Widely used in water plants, sewage treatment plants, urban water supply, high-rise pools, wells, mines, industrial pools, water tanks, oil pools, hydrogeology, reservoirs, rivers, oceans and other places

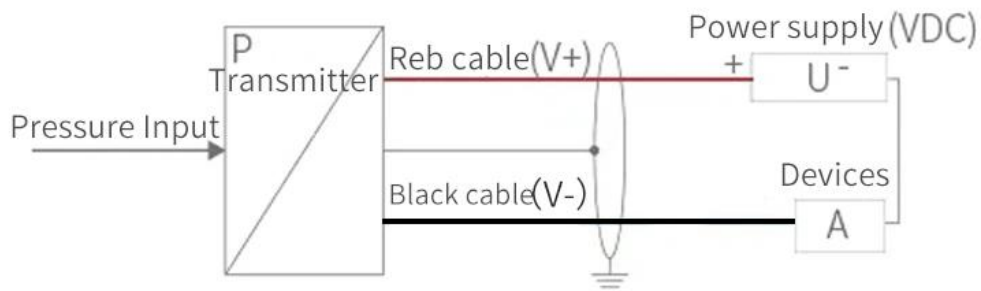
## Technical parameters

- ◆ Fully enclosed circuit, with moisture, condensation, anti-leakage function
- ◆ Range: 0~5 meter with 5 m cable or 0~10 meter with 10 m cable
- ◆ One-piece
- ◆ Accuracy: 0.5%FS
- ◆ Appearance size is approx. 145mm, diameter 28mm

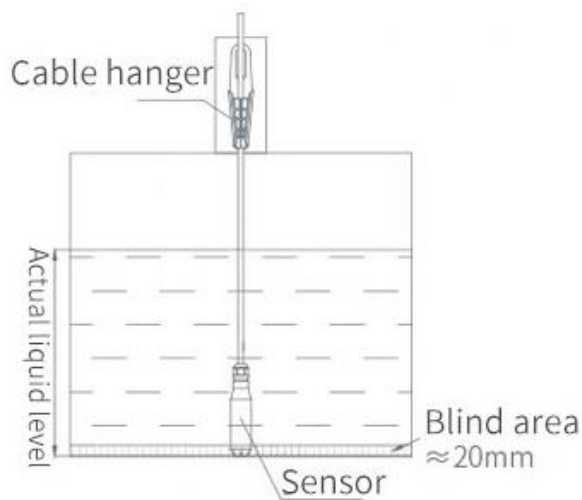
## Main parameters of liquid level transmitter

Measuring medium	: Non-corrosive liquid to stainless steel
Measuring range	: 0-5 meters or 0-10 meters
Output signal	: 4-20 mA (others on request 0-10V, 0-5V, 485 communication)
Power supply	: 12-36 Vdc (typical 24vdc)
Medium temperature	: 0-50°C
Stable performance	: ±0.1%FS year
Accuracy level	: 0.5%FS (default). 0.2%FS
Overload capacity	: <1.5 times the range
Temperature drift	: ±0.02%FS/°C

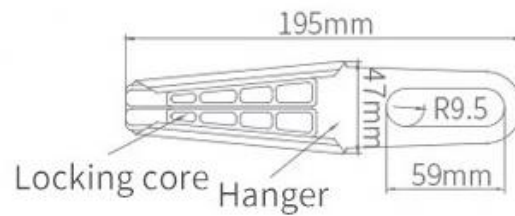




**Current Output (2 wires)**

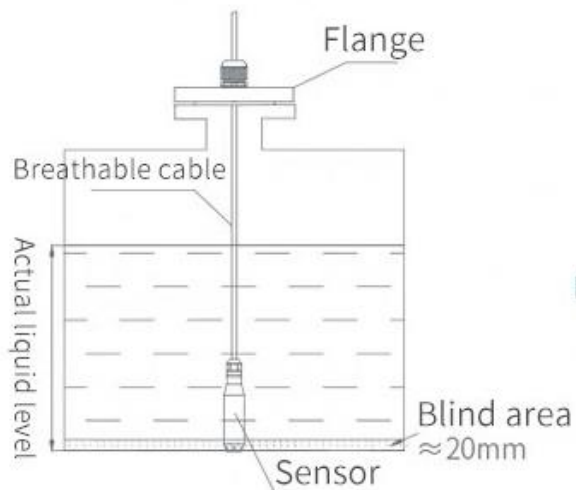


**Cable Hanger Installation**

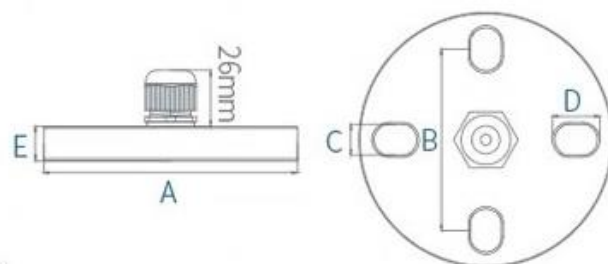


Locking core material: Engineering plastic  
Hanger material: 304 stainless steel  
Weight: 110g

**Cable Hanger Size**



**Flange Fixed Installation**



**Flange Fixed Size**



TO MEASURE  TO KNOW

**Nieuwkoop BV**

Aalsmeerderweg 249 -S

1432 CM AALSMEER

0297 325836

[info@nieuwkoopbv.nl](mailto:info@nieuwkoopbv.nl)

[www.meten.nl](http://www.meten.nl)



**NIEUWKOOP**