



NIEUWKOOP

METEN.NL

LEAFLET



NT5000 – NT5010

LEVEL SENSOR (0-4 or 0-10M)

OUTPUT 4-20MA



TO MEASURE  TO KNOW



FEATURES

- **0 to 1000 mbar,**
- **For corrosive media**
- **4...20 mA output**
- **Field interchangeable**
- **EMC according to EN 61326-1**

(Surge immunity according to EN 61000-4-5 for current output devices with cable lengths longer than 10m)

MEDIA COMPATIBILITY

Wetted materials: PPS, ceramic Al₂O₃, NBR (FKM), PUR (PE/FEP)

Protection class: IP 68 (according to DIN EN 60529, NEMA 6P) The package is an all-sealed housing. For proper function the gage port is vented to the atmosphere through the connecting cable. Thus the vent tube of the cable end must have access to the ambient pressure

SPECIFICATIONS

CE-labelling is in accordance with 2004/108/EC.

The pressure transmitters must not be used as safety accessories according to article 1, 2.1.3 of the directive 97/23/EC

Environmental

Temperature limits

Storage -25...70 °C

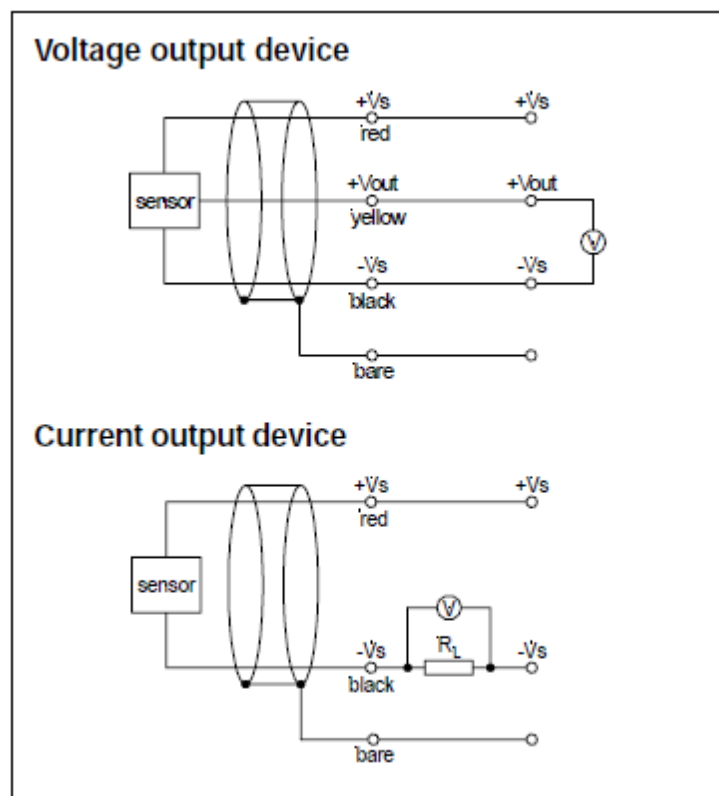
Operating -10...70 °C

Compensated 0...70 °C

Vibration (5 to 500 Hz) 10 gRMS

Mechanical shock 50 g

ELECTRICAL CONNECTION





COMMON PERFORMANCE CHARACTERISTICS

($V_s=15\text{ V} \pm 0.1\text{ V}$, $T_A=25\text{ }^\circ\text{C}$, $RH=50\%$)

Characteristics		Min.	Typ.	Max.	Unit
Thermal effects (0...70 °C) ⁴	Offset		devices up to 1 bar/10 m H ₂ O/15 psi	±0.03	±0.06
			all others	±0.02	±0.04
	Span		±0.02	±0.04	%FSO/°C
Thermal effects (-10...0 °C) ⁴	Offset		±0.03		
	Span		±0.03		
Non-linearity (BSL) ⁵ , hysteresis and repeatability			±0.1	±0.3	%FSO
Long term stability ⁶			±0.1	±0.3	
Output noise (0 < f < 1 kHz)			±0.1		
Response time (10 to 90 %)			35		ms
D/A resolution				11	bit
Power supply rejection	Offset		±0.01		%FSO/V
	Span		±0.02		

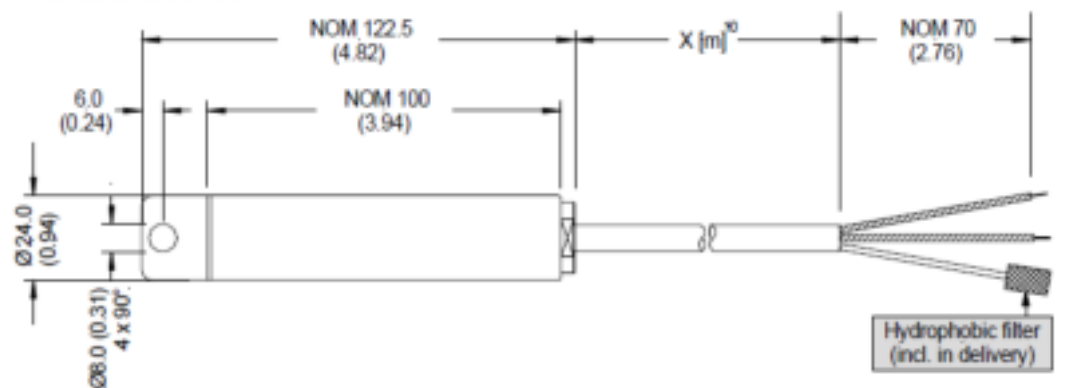
INDIVIDUAL PERFORMANCE CHARACTERISTICS

($V_s=15\text{ V} \pm 0.1\text{ V}$, $T_A=25\text{ }^\circ\text{C}$, $RH=50\%$)

4...20 mA output ($R_L=100\ \Omega$)

Characteristics	Min.	Typ.	Max.	Unit
Zero pressure offset	3.9	4.0	4.1	mA
Full scale span ⁷	15.9	16.0	16.1	
Power consumption ($I_L = 20\text{ mA}$)		250		mW

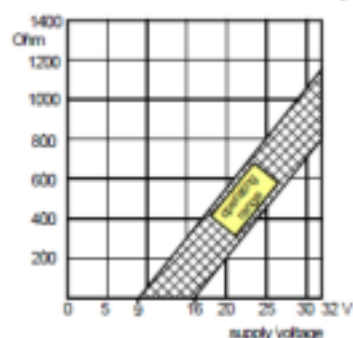
OUTLINE DRAWING¹



mass: approx. 75 g (without cable)

dimensions in mm (inches)

LOAD LIMITATION (4...20 mA output version)



ELECTRICAL CONNECTION (cont.)

WIRE CONNECTION		
Colour	0...10 V	4...20 mA
red	+Vs	+Vs
black	-Vs	-Vs
yellow	Vout	-
bare	shield	shield
transparent	vent tube ¹	vent tube ¹



TO MEASURE  TO KNOW

Nieuwkoop BV

Aalsmeerderweg 249-S
1432 CM AALSMEER

0297 325836

info@nieuwkoopbv.nl
www.meten.nl



NIEUWKOOP