



DX 225 / DX 245

DX Digital pressure probes relative and absolute with G ½ B thread



- Interchangeable DX sensor
- highly accurate 0.1 % FS
- for PRO Line meters PRO D01/D05/925/595
- Low power consumption
- robust manometer connection G ½"
- rigid stainless-steel body
- Fast: internal measuring speed 50 /s
- Temperature compensated
- Optional DAkks/ACCREDIA certificates

DESCRIPTION

DX 225 and DX 245 are series of high-class robust and very accurate reference sensors for operation with PRO D01/D05/925/595 handheld meters. The G ½ manometer connection is designed for pressures of 1000 bar.

Different ranges available as standard:

relative	489188	DX225-M1/3bar-00	-1 ... 3 bar
	486801	DX225-1bar-00	0 ... 1 bar
	486812	DX225-4bar-00	0 ... 4 bar
	486809	DX225-10bar-00	0 ... 10 bar
	486810	DX225-100bar-00	0 ... 100 bar
	...		
	489182	DX225-1000bar-00	0 ... 1000 bar
absolute/vacuum	486802	DX245-1bar-00	0 ... 1 bar
	486811	DX245-2.5bar-00	0 ... 2.5 bar
	489178	DX245-4bar-00	0 ... 4 bar
	489179	DX245-6bar-00	0 ... 6 bar
	486813	DX245-10bar-00	0 ... 10 bar
	489180	DX245-25bar-00	0 ... 25 bar

many other ranges can be delivered on request!

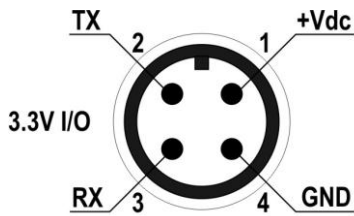
The measurement is temperature compensated over a wide range for enhanced accuracy.

The probes are supplied factory-calibrated, and they are ready to use.

They can be optionally supplied with an ISO 9001 factory calibration or DIN EN ISO/IEC 17025 DAkks/ACCREDIA calibration certificate.

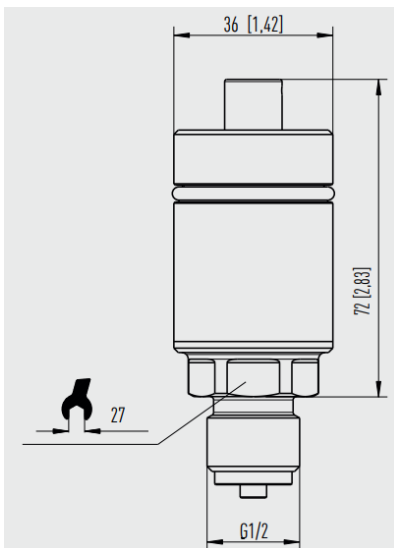
The calibration data are stored in the probe, allowing for interchangeability without the need for recalibration.

Equipped with 5-pin M12 connector “DX-Sensor standard”, connectable to PRO-D0x and PRO 925/595 multifunctional meters.

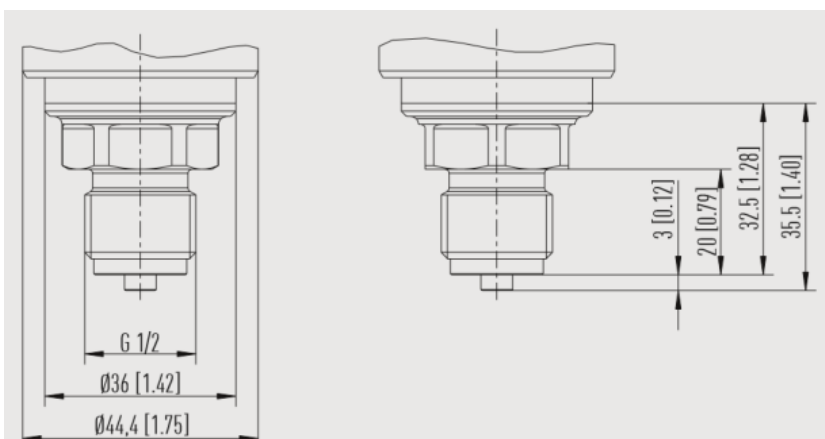


M12 DX 225/245 sensor pin out
(a connection-cable is required)

DX 225/245-L01: incl. connection-cable



Dimensional drawing



Thread connection G 1/2"



NIEUWKOOP

TECHNICAL SPECIFICATIONS

Sensor type	<=40 bar: piezoresistive >40 bar: thin film cell
Measuring range	relative: 1 ... 1000 bar rel. absolute/vacuum: 1 ... 25 bar abs.
Resolution	Depending on sensor model, <0.01% full scale
Overpressure limit	< 25 bar 3-fold > 25 ... ≤ 600 bar 2-fold > 600 bar 1.5-fold
Measuring rate	Internally 50 /s (update for min/max envelope curve visualization and average, display is updated once per second)
Accuracy (10 ... 60°C, 45...75%RH)	0.1 % FS (for sensors <1.6bar: periodic zero-point correction required)
Compensated temperature	-20...+60 °C
Operating conditions	-20...+60 °C / 0...95% RH non-condensing
Storage temperature	-20...+80 °C
Output	DX-Sensor interface M12
Connection (to meter)	4-pole M12
Power consumption	Ca. 2 mA
Connection (to process)	G ½ manometer thread
Dimensions	Ø36 x 94 mm (without thread connection: 72 mm)
Best orientation	Vertical, thread pointing downwards
Weight	Ca. 300 g
Material	Stainless steel, <= 40 bar: 1.4404/316L process connection and sensor >40 bar: 1.4404/316L process connection, sensor Elgiloy 2.4711
Protection degree	IP67

SENSOR-MEASURING CHANNELS

Displayed name		Description
DX 225	DX 245	
Prel	Pabs	Last measuring value
MinP	MinP	Minimum value of last second *)
AvgP	AvgP	Average of last second *)
MaxP	MaxP	Maximum value of last second *)
---	SLP	value corrected to sea level

*) The measuring channels of the sensor are not to be confused with the min/max/Ø values of the hand-held measuring devices. These values are provided for each of the sensor measuring channels.

STANDARD ARTICLES

Digital relative pressure sensor with gauge connection thread G½B (eg. for PRO D0x)

Incl. 1 m M12 connection cable:

	Measuring range	Resolution	
DX 225-M1/3bar-00-L1	-1000 ... 3000 hPa rel.	1 hPa / 1 mbar	Art no. 489424
DX 225-400mbar-00-L1	0.0 ... 400.0 hPa rel.	0.1 hPa / 0.1 mbar	Art no. 489367
DX 225-1bar-00-L1	0.0 ... 1000.0 hPa rel.	0.1 hPa / 0.1 mbar	Art no. 489425
DX 225-2.5bar-00-L1	0 ... 2500 hPa rel.	1 hPa / 1 mbar	Art no. 489426
DX 225-4bar-00-L1	0 ... 4000 hPa rel.	1 hPa / 1 mbar	Art no. 489427
DX 225-6bar-00-L1	0 ... 6000 hPa rel.	1 hPa / 1 mbar	Art no. 489428
DX 225-10bar-00-L1	0 ... 10 bar rel.	1 hPa / 1 mbar	Art no. 489429
DX 225-25bar-00-L1	0 ... 25 bar rel.	1 hPa / 1 mbar	Art no. 489430
DX 225-40bar-00-L1	0 ... 40 bar rel.	1 hPa / 1 mbar	Art no. 489431
DX 225-60bar-00-L1	0 ... 60 bar rel.	1 hPa / 1 mbar	Art no. 489432
DX 225-100bar-00-L1	0 ... 100 bar rel.	10 hPa / 0.01 bar	Art no. 489433
DX 225-250bar-00-L1	0 ... 250 bar rel.	10 hPa / 0.01 bar	Art no. 489434
DX 225-400bar-00-L1	0 ... 400 bar rel.	10 hPa / 0.01 bar	Art no. 489435
DX 225-600bar-00-L1	0 ... 600 bar rel.	10 hPa / 0.01 bar	Art no. 489436
DX 225-1000bar-00-L1	0 ... 1000 bar rel.	10 hPa / 0.01 bar	Art no. 489438

Digital absolute pressure sensor with gauge connection thread G½B (eg. for PRO D0x)

Incl. 1 m M12 connection cable:

	Measuring range	Resolution	
DX 245-1bar-00-L1	0 ... 1000 hPa abs	0.1 hPa / 0.1 mbar	Art no. 489361
DX 245-2.5bar-00-L1	0 ... 2500 hPa abs.	1 hPa / 1 mbar	Art no. 489365
DX 245-4bar-00-L1	0 ... 4000 hPa abs.	1 hPa / 1 mbar	Art no. 489362
DX 245-6bar-00-L1	0 ... 6000 hPa abs.	1 hPa / 1 mbar	Art no. 489363
DX 245-10bar-00-L1	0 ... 10.00 bar abs.	1 hPa / 1 mbar	Art no. 489364
DX 245-25bar-00-L1	0 ... 25.00 bar abs.	1 hPa / 1 mbar	Art no. 489366

(Sensors are available without cable as well, to be combined with other connection cable lengths than standard 1 m)



NIEUWKOOP

ACCESSORIES

GDZ-28	metal sealing, manometer profile gasket for thread G ½	Art no. 601597
GDZ-23	Adapter G ¼ A outer diameter, G ½ inner brass	Art no. 601586
GDZ-09	Coupling adapter (nominal diameter 5) with male thread G ¼, brass	Art no. 601557

Other adapters are available on request

CABLE-M12-L01	Connection cable M12 5 pole, 1 m	Art no. 487020
CABLE-M12-L02	Connection cable M12 5 pole, 2 m	Art no. 487021
CABLE-M12-L05	Connection cable M12 5 pole, 5 m	Art no. 487022

SUITABLE INSTRUMENTS

PRO D01	1-channel handheld meter for digital probes. Supplied with 4 x AA alkaline batteries.	Art no. 486134
PRO D05.2	2-channel handheld data logger for digital probes. Supplied with 4 NiMH rechargeable batteries, USB cable and software downloadable from Senseca website.	Art no. 486136
PRO D05.3	3-channel handheld data logger for digital probes. Supplied with 4 NiMH rechargeable batteries, USB cable and software downloadable from Senseca website.	Art no. 486137
PRO 921	Multifunctional instrument for DX - sensors and 2 thermocouples type K. Supplied with 4 x AA alkaline batteries.	Art no. 488743
PRO 925	Multifunctional handheld data logger for DX - sensors and 2 thermocouples type K. Supplied with 4 NiMH rechargeable batteries, USB cable and software downloadable from Senseca website.	Art no. 488744

More on www.senseca.com



NIEUWKOOP